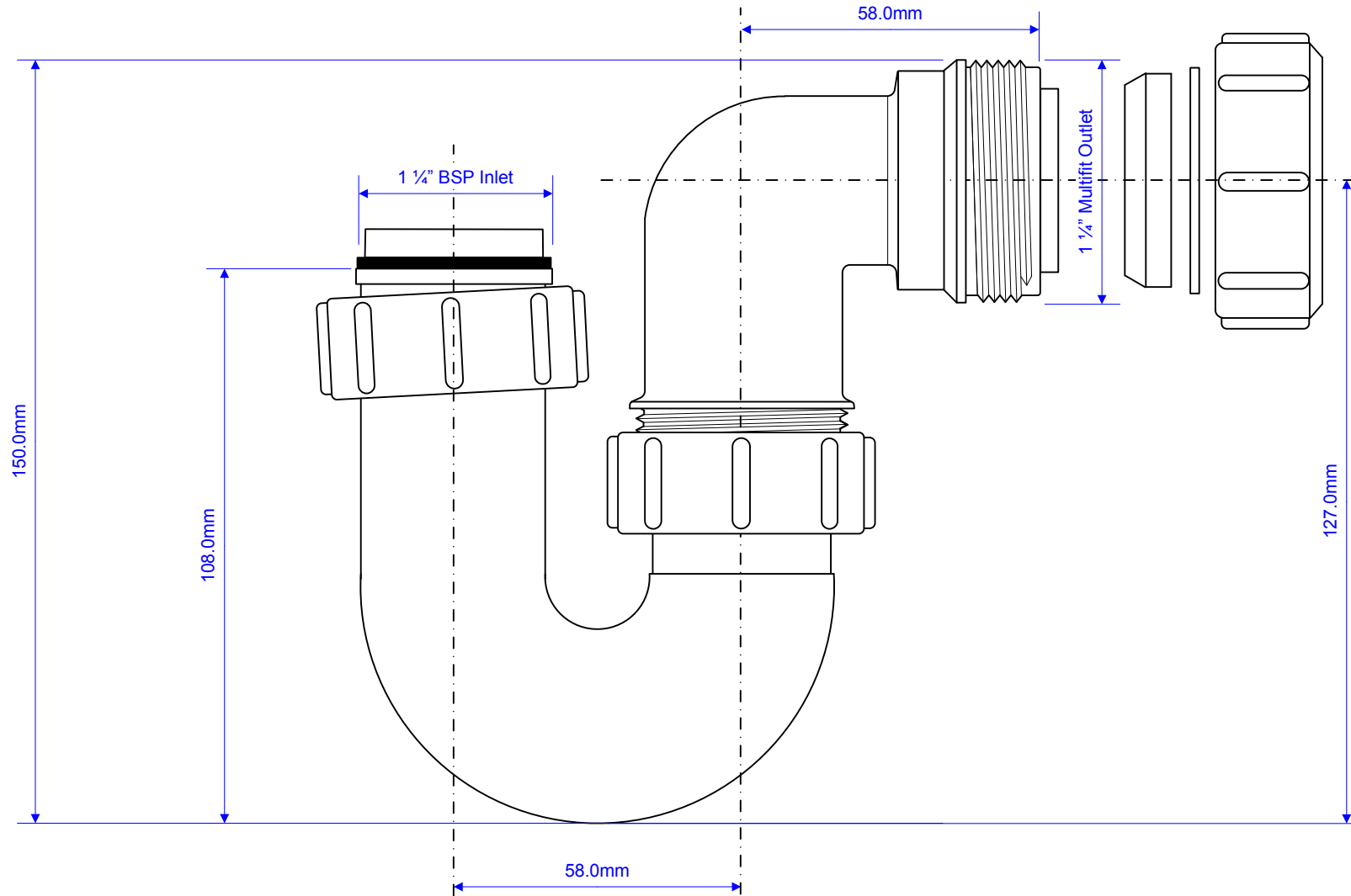


Code:

BT3



DRAWN BY

RM

REVISED

FILENAME

BT3.VSD

SCALE

1: 1.25

DATE

23/03/2009