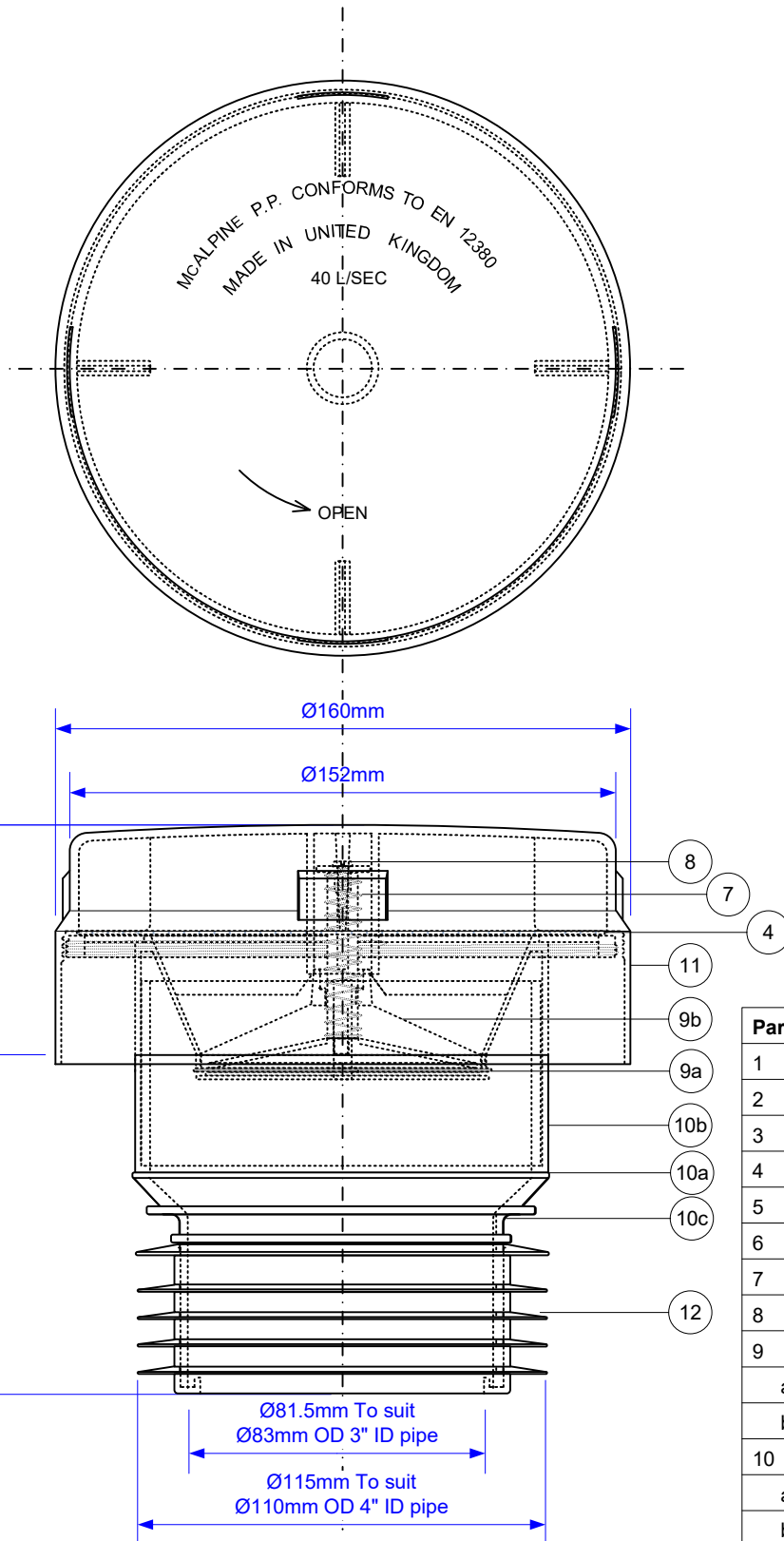


Code:

VP100E



Part No	Desc/Code	Material
1	P-B-9.5X19MC	Plastic Bag
2	P-C-S1F	Carton
3	P-C-VP100E	Carton
4	P-FILTER-RING	Stainless Steel
5	P-L-VP100E-B	Label
6	P-L-VP100E-F	Label
7	P-SPR-VP100-EXT	Stainless Steel
8	P-SS-02.9-019-PANPZ	Stainless Steel
9	VP100E-CAR+DIA	
a	P-RW-VP83	Nitrile Rubber
b	VP100ECARRIER	ABS
10	VP100EBODY-GLUED	
a	GLUING	Gluing Process
b	VP100BODY-E-ADAPTABS	
c	VP100BODY-E-BL	ABS
11	VP100LID-E-BL	ABS
12	WC-OUTLET-BL	TPE

Flow Rate at at 250 Pa = 38l/s

Opening Pressure = 40 Pa

Drawing verified
correct as of:

08/01/2019
RM

DRAWN BY

RM

SCALE

1:2

REVISED

18/09/2018, 12/12/2018
08/01/2019

FILENAME

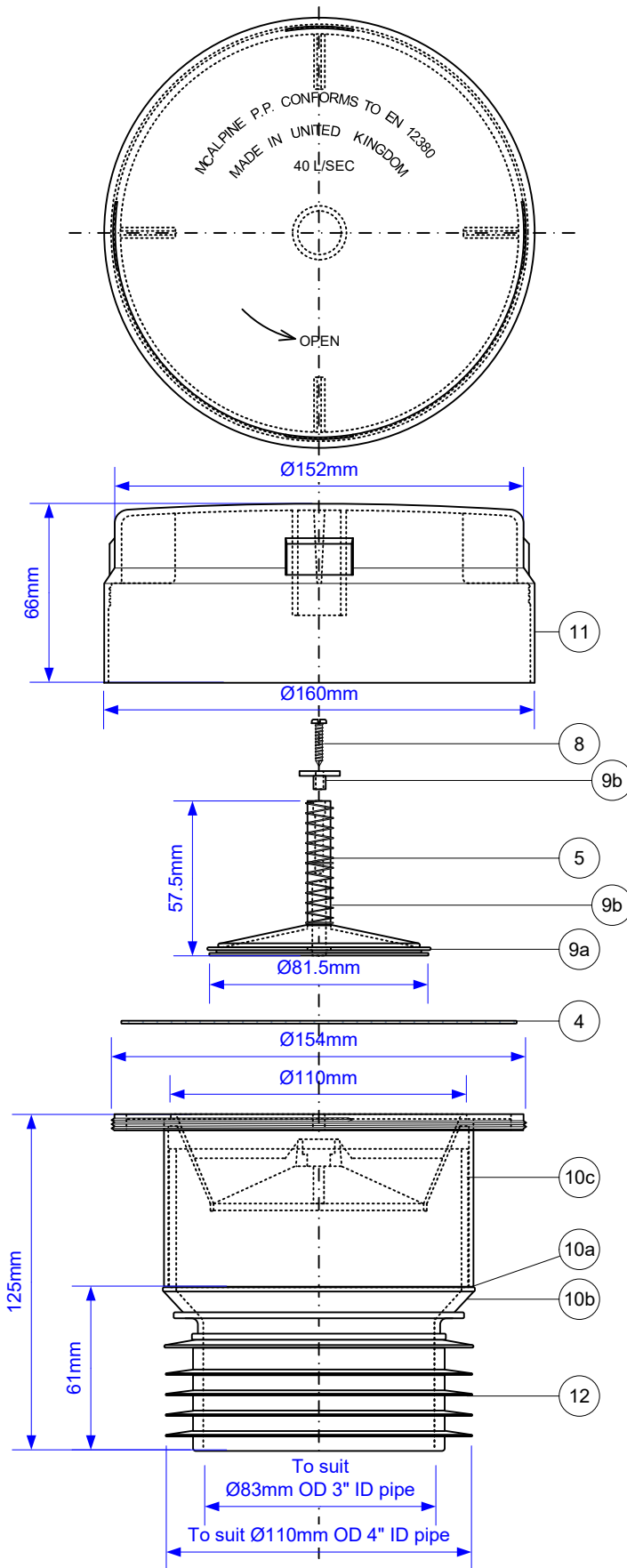
VP100E.VSD

DATE

08/01/2019

Code:

VP100E



Part No	Desc/Code	Material
1	P-B-9.5X19MC	Plastic Bag
2	P-C-S1F	Carton
3	P-C-VP100E	Carton
4	P-FILTER-RING	Stainless Steel
5	P-L-VP100E-B	Label
6	P-L-VP100E-F	Label
7	P-SPR-VP100-EXT	Stainless Steel
8	P-SS-02.9-019-PANPZ	Stainless Steel
9	VP100E-CAR+DIA	
a	P-RW-VP83	Nitrile Rubber
b	VP100ECARRIER	ABS
10	VP100EBODY-GLUED	
a	GLUING	Gluing Process
b	VP100BODY-E-ADAPT	ABS
c	VP100BODY-E-BL	ABS
11	VP100LID-E-BL	ABS
12	WC-OUTLET-BL	TPE

Drawing verified
correct as of:

08/01/2019
RM

DRAWN BY
RM

REVISED
18/09/2018, 12/12/2018

FILENAME
VP100E.VSD

SCALE
1: 2.5

DATE
08/01/2019