

# K·RAD

DESIGNER  
HEATING  
2021



## DESIGNER HEATING 2021

Kartell UK has established a reputation as a premier supplier of high quality products to the UK Plumbing and Heating Sector. We are delighted to introduce our 2021 K-Rad Designer Radiator brochure. Take a look at our wide range, all designed to provide exactly what we have become famous for at Kartell – delivering a quality product, offering a quality service and delivering at a competitive price.

Within these pages you will find the latest designer radiators and towel rails, influenced by fashions and designers across Europe. You will also find the traditional styles that have remained with us over the years; solid functional designs with durability and ease of use and maintenance. We trust that you will enjoy this new catalogue.

### Designer Radiators

---

Aspen White Horizontal	4
Aspen White Vertical	5
Aspen Anthracite Horizontal	6
Aspen Anthracite Vertical	7
Aspen Stainless Horizontal	8
Aspen Stainless Vertical	9
Boston Anthracite Horizontal	10
Boston White Horizontal	11
Boston Chrome	12
Boston Anthracite	13
Boston White	14
Florida	15
Laser Klassic Horizontal	16
Laser Klassic Vertical	17
Laser Klassic Horizontal Raw Metal	18
Laser Klassic Vertical Raw Metal	19
Laser Klassic Horizontal Anthracite	20
Laser Klassic Vertical Anthracite	21
K-Flat Horizontal	22
K-Flat Vertical	23
K-Flat Premium Horizontal	24
K-Flat Premium Vertical	25
Vermont	26
Vermont Hi	27
Nostalgia	28
Legacy	29
San Jose	30
Miami	31
Cincinnati	32
Kansas	33
Los Angeles	34
Crown	35
Idaho	36

### Designer Towel Rails

---

Toledo	37
Metro	38
Ohio	39
Connecticut	40
Orlando	41
Newark	42
Memphis	43
Atlantic	44
Mode	45
Oregon	46
Venetian	47
Phoenix	48
New York	49
Kolumn	50
Denver	51
Malibu	52
Tampa	53
Oakland	54
K Squared	55
K Rail 22mm Black	56
K Rail 22mm Anthracite	57
Coloured K-Rails	58-59
K Rail 22mm White	60
K Rail 22mm Chrome	61
K Rail 25mm Chrome	62
Electric rails	63

### Radiator Valves & Extras

---

64-65

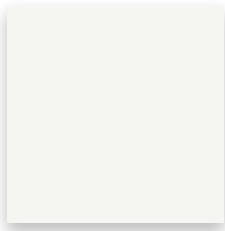
This publication is issued subject to alteration or withdrawal without notice. The illustrations and specifications are not binding in detail. All offers and sales are subject to the company's current terms and conditions of sale. Printed colours in this publication, whilst a good reflection, they may not be an exact match to the finished products.

All prices shown include VAT and are correct at the time of going to press.

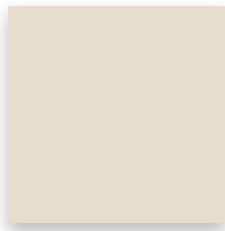


# K-Rad Kolours

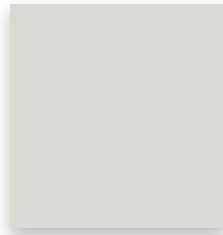
A selection of our most popular RAL colours are available on most products, for those that require a more unique look. Our K-Rad Kolours are ready to go so your product can be delivered to you in 2 weeks.



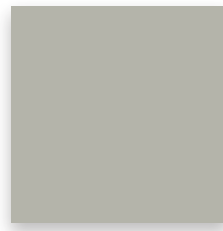
RAL 9010  
Pure White



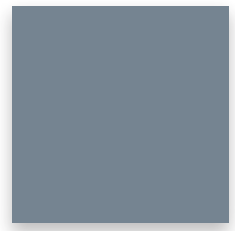
RAL 1013  
Oyster White



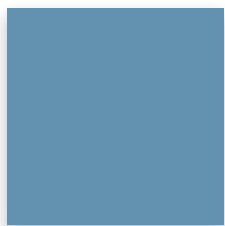
RAL 9002  
Grey White



RAL 7032  
Pebble Grey



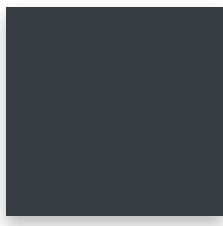
RAL 7001  
Silver Grey



RAL 5024  
Pastel Blue



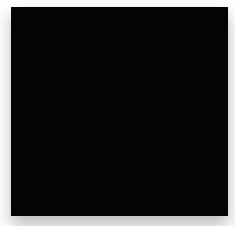
RAL 5002  
Ultramarine



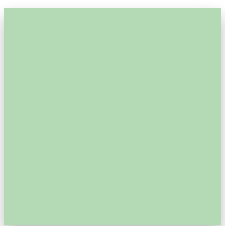
RAL 7016  
Anthracite



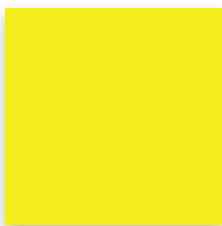
RAL 5013  
Cobalt Blue



RAL 9005  
Jet Black



RAL 6019  
Pastel Green



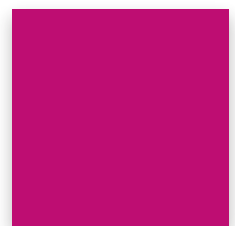
RAL 1016  
Sulphur Yellow



RAL 2004  
Brilliant Orange



RAL 3020  
Traffic Red



RAL 4010  
Telemagenta

Cast Iron & Tubular Steel: £36 per section surcharge for Kartell Kolours.

K-Flats & K-Rads: price on application for Kartell Kolours.

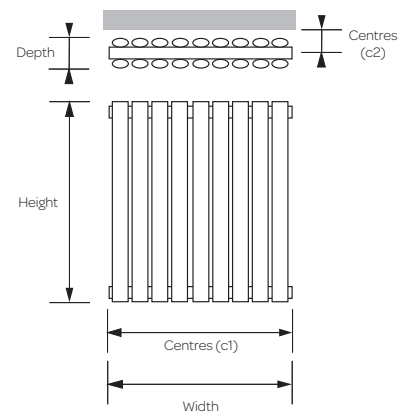
**Other colours only available upon request. Please contact the sales office for pricing.**

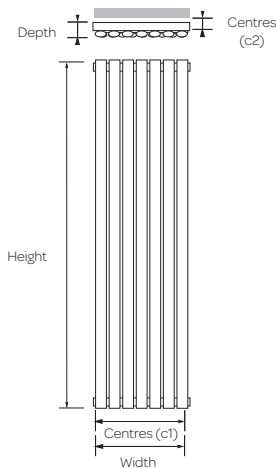
Please note that while the printed colours in this publication are a good reflection, they may not be an exact match to the finished products. All finishes are gloss.





Product Code	Height (mm)	Width (mm)	Depth (mm)	Tapping Centres (mm) (c1)	Tapping Centres (mm) (c2)	Heat Output $\Delta t60^{\circ}\text{C}$ (BTUs)	Price (£)
<b>Aspen Single</b>							
ASP60-37SW	600	360	55	360	51	1434	206.90
ASP60-55SW	600	540	55	540	51	2234	291.00
ASP60-79SW	600	780	55	780	51	3309	392.81
ASP60-97SW	600	960	55	960	51	4428	468.77
ASP60-115SW	600	1140	55	1140	51	5111	547.88
ASP60-145SW	600	1440	55	1440	51	6377	678.83
<b>Aspen Double</b>							
ASP60-37DW	600	360	79	360	51	2467	300.71
ASP60-55DW	600	540	79	540	51	3850	420.23
ASP60-79DW	600	780	79	780	51	5694	577.01
ASP60-97DW	600	960	79	960	51	7591	691.81
ASP60-115DW	600	1140	79	1140	51	8645	811.46
ASP60-145DW	600	1440	79	1440	51	10780	1002.10

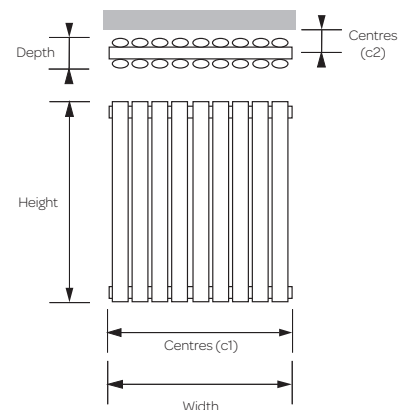


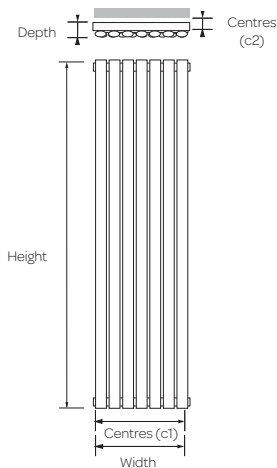


Product Code	Height (mm)	Width (mm)	Depth (mm)	Tapping Centres (mm) (c1)	Tapping Centres (mm) (c2)	Heat Output $\Delta t60^{\circ}\text{C}$ (BTUs)	Price (£)
<b>Aspen Single</b>							
ASP16-43VSW	1600	420	55	420	51	4187	395.96
ASP18-31VSW	1800	300	55	300	51	3563	328.13
ASP18-43VSW	1800	420	55	420	51	4796	434.80
ASP18-55VSW	1800	540	55	540	51	6299	541.46
<b>Aspen Double</b>							
ASP16-43VDW	1600	420	79	420	51	8170	533.45
ASP18-31VDW	1800	300	79	300	51	6933	420.23
ASP18-43VDW	1800	420	79	420	51	9540	569.00
ASP18-55VDW	1800	540	79	540	51	12283	717.66



Product Code	Height (mm)	Width (mm)	Depth (mm)	Tapping Centres (mm)		Heat Output $\Delta t60^{\circ}\text{C}$ (BTUs)	Price (£)
				(c1)	(c2)		
<b>Aspen Single</b>							
ASP60-37SA	600	360	55	360	51	1434	211.75
ASP60-55SA	600	540	55	540	51	2234	300.71
ASP60-79SA	600	780	55	780	51	3309	404.09
ASP60-97SA	600	960	55	960	51	4428	484.91
ASP60-115SA	600	1140	55	1140	51	5111	565.73
ASP60-145SA	600	1440	55	1440	51	6377	699.94
<b>Aspen Double</b>							
ASP60-37DA	600	360	79	360	51	2467	310.28
ASP60-55DA	600	540	79	540	51	3850	433.21
ASP60-79DA	600	780	79	780	51	5694	594.85
ASP60-97DA	600	960	79	960	51	7591	711.23
ASP60-115DA	600	1140	79	1140	51	8645	834.04
ASP60-145DA	600	1440	79	1440	51	10780	1034.50

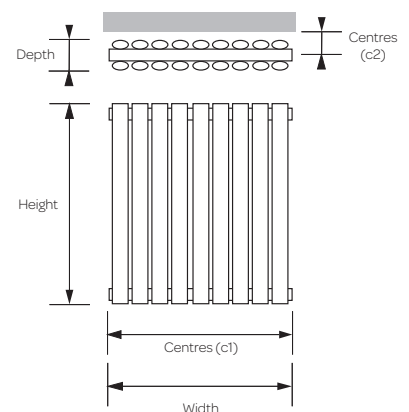




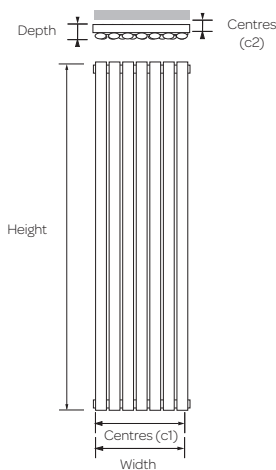
Product Code	Height (mm)	Width (mm)	Depth (mm)	Tapping Centres (mm) (c1)	Tapping Centres (mm) (c2)	Heat Output $\Delta t60^{\circ}\text{C}$ (BTUs)	Price (£)
<b>Aspen Single</b>							
ASP16-43VSA	1600	420	55	420	51	4187	407.36
ASP18-31VSA	1800	300	55	300	51	3563	337.84
ASP18-43VSA	1800	420	55	420	51	4796	447.78
ASP18-55VSA	1800	540	55	540	51	6299	557.59
<b>Aspen Double</b>							
ASP16-43VDA	1600	420	79	420	51	8170	549.59
ASP18-31VDA	1800	300	79	300	51	6933	434.80
ASP18-43VDA	1800	420	79	420	51	9540	586.72
ASP18-55VDA	1800	540	79	540	51	12283	738.65



Product Code	Height (mm)	Width (mm)	Depth (mm)	Tapping Centres (mm) (c1)	Tapping Centres (mm) (c2)	Heat Output $\Delta t60^{\circ}\text{C}$ (BTUs)	Price (£)
<b>Aspen Single</b>							
ASP60-40S	600	400	63	400	50	1271	404.09
ASP60-57S	600	570	63	570	50	1902	480.06
ASP60-80S	600	800	63	800	50	2749	557.59
ASP60-100S	600	1000	63	1000	50	3592	599.70
ASP60-120S	600	1200	63	1200	50	4016	622.27
ASP60-150S	600	1500	63	1500	50	5 075	779.06
<b>Aspen Double</b>							
ASP60-40D	600	400	88	370	70	2187	780.76
ASP60-57D	600	570	88	550	70	3285	756.49
ASP60-75D	600	800	88	790	70	4379	1044.20
ASP60-100D	600	1000	88	970	70	6204	1134.73
ASP60-120D	600	1200	88	1150	70	6904	1220.40
ASP60-150D	600	1500	88	1450	70	8763	1548.53







Product Code	Height (mm)	Width (mm)	Depth (mm)	Tapping Centres (mm) (c1)	Tapping Centres (mm) (c2)	Heat Output $\Delta t 60^{\circ}\text{C}$ (BTUs)	Price (£)
<b>Aspen Single</b>							
ASP180-25S	1800	250	63	250	50	2334	617.42
ASP180-31S	1800	310	63	310	50	2918	745.20
ASP180-45S	1800	450	63	450	50	4059	1000.52
ASP180-56S	1800	560	63	560	50	5248	1254.26
<b>Aspen Double</b>							
ASP180-25D	1800	250	88	250	70	4552	1069.45
ASP180-31D	1800	310	88	310	70	5690	1372.57
ASP180-45D	1800	450	88	450	70	7916	1907.36
ASP180-56D	1800	560	88	560	70	10234	2312.78

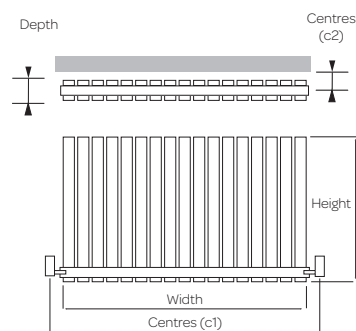
# Boston Anthracite Horizontal

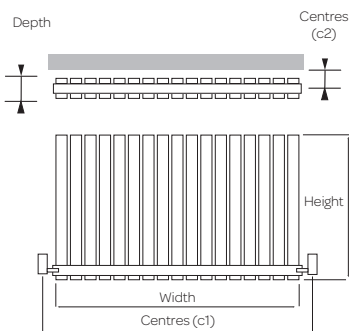
M Matt Finish

5 5 Year Guarantee



Product Code	Height (mm)	Width (mm)	Depth (mm)	Tapping Centres (mm)		Heat Output $\Delta t60^{\circ}\text{C}$ (BTUs)	Price (£)
				(c1)	(c2)		
<b>Boston Single</b>							
BOS60-42SA	600	420	52	420	50	1295	150.00
BOS60-63SA	600	630	52	630	50	1943	210.00
BOS60-77SA	600	770	52	770	50	2375	240.00
BOS60-91SA	600	910	52	910	50	2807	270.00
BOS60-119SA	600	1190	52	1190	50	3670	360.00
BOS60-147SA	600	1470	52	1470	50	4534	420.00
<b>Boston Double</b>							
BOS60-42DA	600	420	70	420	50	2367	240.00
BOS60-63DA	600	630	70	630	50	3551	330.00
BOS60-77DA	600	770	70	770	50	4340	390.00
BOS60-91DA	600	910	70	910	50	5129	450.00
BOS60-119DA	600	1190	70	1190	50	6708	540.00
BOS60-147DA	600	1470	70	1470	50	8286	654.00

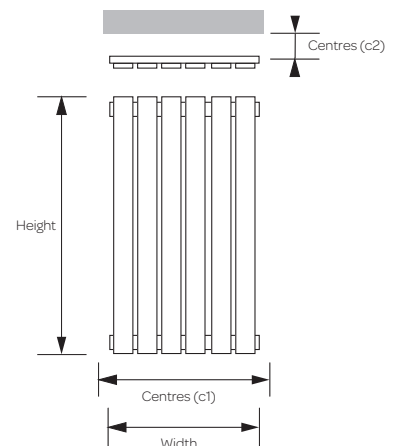


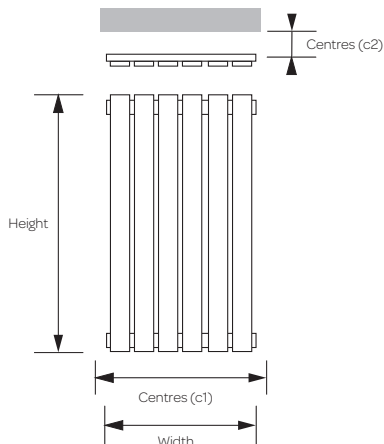


Product Code	Height (mm)	Width (mm)	Depth (mm)	Tapping Centres (mm)		Heat Output $\Delta t60^{\circ}\text{C}$ (BTUs)	Price (£)
				(c1)	(c2)		
<b>Boston Single</b>							
BOS60-42SW	600	420	52	420	50	1295	150.00
BOS60-63SW	600	630	52	630	50	1943	210.00
BOS60-77SW	600	770	52	770	50	2375	240.00
BOS60-91SW	600	910	52	910	50	2807	270.00
BOS60-119SW	600	1190	52	1190	50	3670	360.00
BOS60-147SW	600	1470	52	1470	50	4534	420.00
<b>Boston Double</b>							
BOS60-42DW	600	420	70	420	50	2367	240.00
BOS60-63DW	600	630	70	630	50	3551	330.00
BOS60-77DW	600	770	70	770	50	4340	390.00
BOS60-91DW	600	910	70	910	50	5129	450.00
BOS60-119DW	600	1190	70	1190	50	6708	540.00
BOS60-147DW	600	1470	70	1470	50	8286	654.00



Product Code	Height (mm)	Width (mm)	Tapping Centres (mm)		Heat Output $\Delta t_{60^{\circ}\text{C}}$ (BTUs)	Price (£)
			(c1)	(c2)		
<b>1200 Series</b>						
BOS1200-410C	1200	410	370	50	1638	381.52
BOS1200-480C	1200	480	440	50	1911	438.07
BOS1200-550C	1200	550	510	50	2185	488.18
<b>1600 Series</b>						
BOS1600-410C	1600	410	370	50	2133	442.92
BOS1600-480C	1600	480	440	50	2489	509.18
BOS1600-550C	1600	550	510	50	2845	570.59
<b>1800 Series</b>						
BOS1800-410C	1800	410	370	50	2380	478.48
BOS1800-480C	1800	480	440	50	2777	551.17
BOS1800-550C	1800	550	510	50	3174	612.56

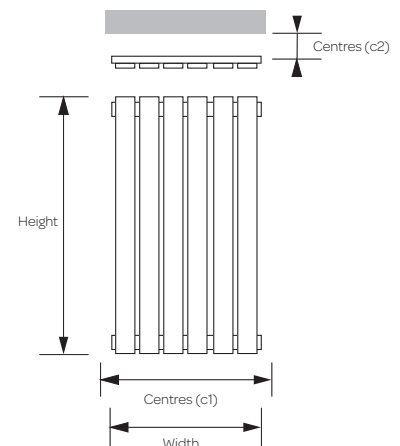


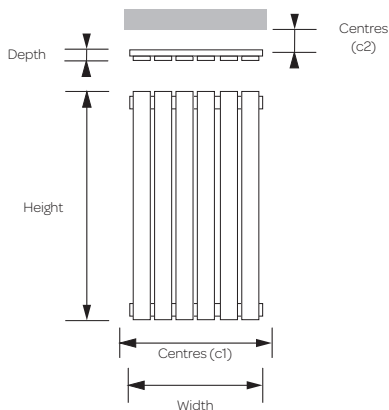


Product Code	Height (mm)	Width (mm)	Tapping Centres (mm)		Heat Output $\Delta t60^{\circ}\text{C}$ (BTUs)	Price (£)
			(c1)	(c2)		
<b>1200 Series</b>						
BOS1200-410A	1200	410	370	50	2,488	257.02
BOS1200-480A	1200	480	440	50	2,904	295.85
BOS1200-550A	1200	550	510	50	3,319	329.70
<b>1600 Series</b>						
BOS1600-410A	1600	410	370	50	3,240	299.00
BOS1600-480A	1600	480	440	50	3,781	344.27
BOS1600-550A	1600	550	510	50	4,322	384.67
<b>1800 Series</b>						
BOS1800-410A	1800	410	370	50	3,616	323.27
BOS1800-480A	1800	480	440	50	4,219	371.81
BOS1800-550A	1800	550	510	50	4,823	413.80



Product Code	Height (mm)	Width (mm)	Tapping Centres (mm)		Heat Output $\Delta t 60^{\circ}\text{C}$ (BTUs)	Price (£)
			(c1)	(c2)		
<b>1200 Series</b>						
BOS1200-410W	1200	410	370	50	2,488	247.31
BOS1200-480W	1200	480	440	50	2,904	284.44
BOS1200-550W	1200	550	510	50	3,319	318.42
<b>1600 Series</b>						
BOS1600-410W	1600	410	370	50	3,240	287.72
BOS1600-480W	1600	480	440	50	3,781	331.40
BOS1600-550W	1600	550	510	50	4,322	370.12
<b>1800 Series</b>						
BOS1800-410W	1800	410	370	50	3,616	311.99
BOS1800-480W	1800	480	440	50	4,219	358.82
BOS1800-550W	1800	550	510	50	4,823	399.24





Product Code	Height (mm)	Width (mm)	Depth (mm)	Tapping Centres (mm)		Heat Output $\Delta t 60^{\circ}\text{C}$ (BTUs)	Price (£)
				(c1)	(c2)		
<b>600 Series</b>							
FLO490-600	600	490	40	550	50-65	2062	606.13
FLO590-600	600	590	40	550	50-65	2473	683.68
<b>800 Series</b>							
FLO490-800	800	490	40	750	50-65	2749	767.77
FLO590-800	800	590	40	750	50-65	3294	876.01
<b>1000 Series</b>							
FLO490-1000	1000	490	40	950	50-65	3437	976.25
FLO590-1000	1000	590	40	950	50-65	4120	1086.19
<b>1200 Series</b>							
FLO490-1200	1200	490	40	1150	50-65	4120	1107.19
FLO590-1200	1200	590	40	1150	50-65	4946	1259.11
<b>1800 Series</b>							
FLO1800-290	1800	290	40	1750	50-65	3713	1045.79
FLO1800-390	1800	390	40	1750	50-65	4946	1386.90

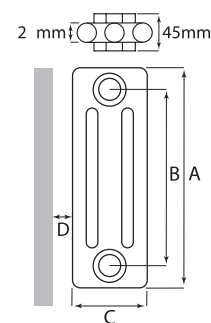
# Laser Klassic Horizontal



5 Year Guarantee



Product Code	Height (mm)	Width (mm)	Depth (mm)	C/C Tappings (mm)		No. of Sections	Heat Output $\Delta t 60^{\circ}\text{C}$ (BTUs)	Price (£)
	A			B	C			
<b>2 Columns</b>								
LCL206014	600	650	66	535	14	2707	334.92	
LCL206018	600	830	66	535	18	3480	421.42	
LCL206022	600	1010	66	535	22	4255	509.36	
LCL206026	600	1190	66	535	26	5027	593.09	
<b>3 Columns</b>								
LCL306014	600	650	107	535	14	3694	362.83	
LCL306018	600	830	107	535	18	4724	460.52	
LCL306022	600	1010	107	535	22	5773	551.23	
LCL306026	600	1190	107	535	26	6824	648.91	
<b>4 Columns</b>								
LCL404014	400	650	148	335	14	3354	509.36	
LCL404018	400	830	148	335	18	4312	648.91	
LCL404022	400	1010	148	335	22	5269	788.46	
LCL404026	400	1190	148	335	26	6229	928.02	
LCL406014	600	650	148	535	14	4900	411.67	
LCL406018	600	830	148	535	18	6300	523.32	
LCL406022	600	1010	148	535	22	7701	627.98	
LCL406026	600	1190	148	535	26	9102	741.07	
LCL407514	750	650	148	685	14	6043	467.50	
LCL407518	750	830	148	685	18	7769	586.12	
LCL407522	750	1010	148	685	22	9460	711.71	
LCL407526	750	1190	148	685	26	11221	837.31	
<b>6 Columns</b>								
LCL603022	300	1010	230	235	22	5915	987.40	
LCL603026	300	1190	230	235	26	6991	1143.40	
LCL603030	300	1370	230	235	30	8067	1315.20	



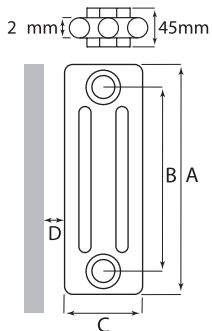
D (wall to back of radiator) = 30mm/40mm dependant on radiator position on the bracket.

**Optional feet adds 120mm to the height**



Code	Description	Price (£ per pair)
T2F	2 column	100.45
T3F	3 column	100.45
T4F	4 column	100.45
T6F	6 column	100.45





D (wall to back of radiator) = 30mm/40mm dependant on radiator position on the bracket.

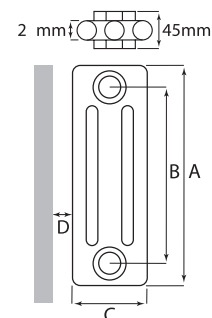
Product Code	Height (mm)	Width (mm)	Depth (mm)	C/C Tappings (mm)	No. of Sections	Heat Output $\Delta t 60^{\circ}\text{C}$ (BTUs)	Price (£)
	A		C	B			
<b>2 Columns</b>							
LCL215007	1500	335	66	1435	7	3215	383.76
LCL215009	1500	425	66	1435	9	4133	488.42
LCL215011	1500	515	66	1435	11	5051	586.12
LCL218007	1800	335	66	1735	7	3858	393.50
LCL218009	1800	425	66	1735	9	4960	499.62
LCL218011	1800	515	66	1735	11	6063	600.07
<b>3 Columns</b>							
LCL318007	1800	335	107	1735	7	4146	460.79
LCL318009	1800	425	107	1735	9	5331	592.44
LCL318011	1800	515	107	1735	11	6516	710.92

# Laser Klassic Horizontal Raw Metal

**5** 5 Year Guarantee



Product Code	Height (mm) A	Width (mm)	Depth (mm) C	C/C Tappings (mm) B	No. of Sections	Heat Output $\Delta t 60^{\circ}\text{C}$ (BTUs)	Price (£)
<b>2 Columns</b>							
RMLCL206014	600	650	66	535	14	2707	435.40
RMLCL206018	600	830	66	535	18	3480	547.85
RMLCL206022	600	1010	66	535	22	4255	662.18
<b>3 Columns</b>							
RMLCL306014	600	650	107	535	14	3694	471.68
RMLCL306018	600	830	107	535	18	4724	598.68
RMLCL306022	600	1010	107	535	22	5773	716.60
RMLCL306026	600	1190	107	535	26	6824	843.60
<b>4 Columns</b>							
RMLCL404026	400	1190	148	335	26	9102	963.37



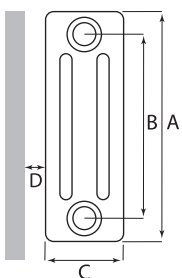
D (wall to back of radiator) = 30mm/40mm dependant on radiator position on the bracket.

**Optional feet**  
adds 120mm to the height



Code	Description	Price (£ per pair)
RMT2F	2 column	130.33
RMT3F	3 column	130.33
RMT4F	4 column	130.33

Printed colours in this publication, whilst a good reflection, may not be an exact match to the finished products.



D (wall to back of radiator) = 30mm/40mm dependant on radiator position on the bracket.

Product Code	Height (mm) A	Width (mm)	Depth (mm) C	C/C Tappings (mm) B	No. of Sections	Heat Output $\Delta t60^{\circ}\text{C}$ (BTUs)	Price (£)
<b>2 Columns</b>							
<b>RMLCL218007</b>	1800	335	66	1735	7	3858	<b>511.55</b>
<b>RMLCL218009</b>	1800	425	66	1735	9	4960	<b>649.51</b>
<b>RMLCL218011</b>	1800	515	66	1735	11	6063	<b>780.08</b>

Printed colours in this publication, whilst a good reflection, may not be an exact match to the finished products.

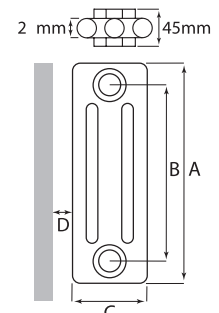
# Laser Klassic Horizontal Anthracite

**M** Matt Finish

**5** 5 Year Guarantee



Product Code	Height (mm) A	Width (mm)	Depth (mm) C	C/C Tappings (mm) B	No. of Sections	Heat Output $\Delta t 60^{\circ}\text{C}$ (BTUs)	Price (£)
<b>2 Columns</b>							
ALCL206014	600	650	66	535	14	2707	435.40
ALCL206018	600	830	66	535	18	3480	547.85
ALCL206022	600	1010	66	535	22	4255	662.18
<b>3 Columns</b>							
ALCL306014	600	650	107	535	14	3694	471.68
ALCL306018	600	830	107	535	18	4724	598.68
ALCL306022	600	1010	107	535	22	5773	716.60
ALCL306026	600	1190	107	535	26	6824	843.60
<b>4 Columns</b>							
ALCL406026	600	1190	148	335	26	9102	963.37



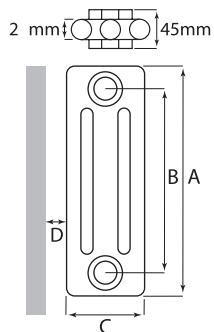
D (wall to back of radiator) = 30mm/40mm dependant on radiator position on the bracket.

**Optional feet**  
adds 120mm to the height



Code	Description	Price (£ per pair)
AT2F	2 column	130.33
AT3F	3 column	130.33
AT4F	4 column	130.33

Printed colours in this publication, whilst a good reflection, may not be an exact match to the finished products.



D (wall to back of radiator) = 30mm/40mm dependant on radiator position on the bracket.

Product Code	Height (mm) A	Width (mm)	Depth (mm) C	C/C Tappings (mm) B	No. of Sections	Heat Output $\Delta t 60^{\circ}\text{C}$ (BTUs)	Price (£)
<b>2 Columns</b>							
ALCL218007	1800	335	66	1735	7	3858	511.55
ALCL218009	1800	425	66	1735	9	4960	649.51
ALCL218011	1800	515	66	1735	11	6063	780.08

Printed colours in this publication, whilst a good reflection, may not be an exact match to the finished products.

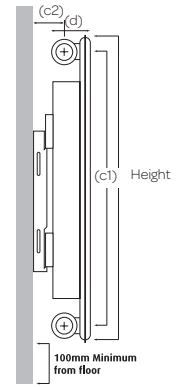
# K-Flat Kompact Horizontal



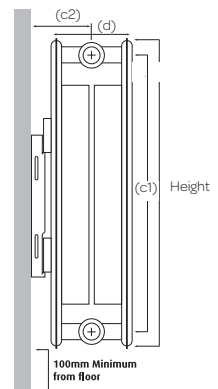
10 Year Guarantee



Type 11 Single Convector



Type 22 Double Convactor



TYPE 11 Single Convactor

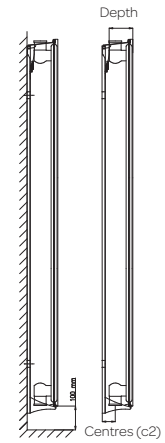
Code	Width (mm)	Depth (mm)	Tapping Centres (mm)		Output $\Delta t_{60^\circ C}$ (BTUs)	Price (£)
			(c1)	(c2)		
<b>400mm high</b>						
KS406F	600	56	345	40 or 55	1586	190.88
KS408F	800	56	345	40 or 55	2115	226.09
KS410F	1000	56	345	40 or 55	2644	261.65
KS412F	1200	56	345	40 or 55	3173	303.39
KS414F	1400	56	345	40 or 55	3701	335.95
KS416F	1600	56	345	40 or 55	4230	373.82
<b>500mm high</b>						
KS504F	400	56	445	40 or 55	1279	180.13
KS506F	600	56	445	40 or 55	1918	212.34
KS508F	800	56	445	40 or 55	2558	254.78
KS510F	1000	56	445	40 or 55	3197	298.28
KS512F	1200	56	445	40 or 55	3837	348.81
KS514F	1400	56	445	40 or 55	4476	387.37
KS516F	1600	56	445	40 or 55	5116	424.88
<b>600mm high</b>						
KS604F	400	56	545	40 or 55	1489	192.64
KS606F	600	56	545	40 or 55	2233	230.66
KS608F	800	56	545	40 or 55	2977	280.32
KS610F	1000	56	545	40 or 55	3722	330.16
KS612F	1200	56	545	40 or 55	4466	371.17
KS614F	1400	56	545	40 or 55	5211	432.28
KS616F	1600	56	545	40 or 55	5955	475.77
KS618F	1800	56	545	40 or 55	6699	517.85
KS620F	2000	56	545	40 or 55	7444	560.46

TYPE 22 Double Convactor

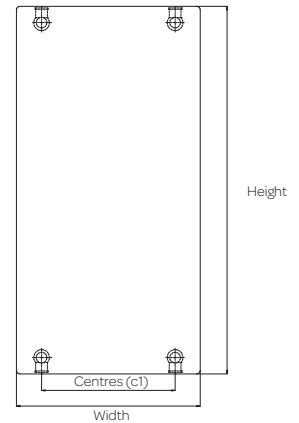
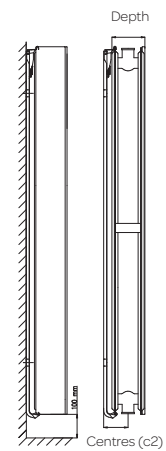
Code	Width (mm)	Depth (mm)	Tapping Centres (mm)		Output $\Delta t_{60^\circ C}$ (BTUs)	Price (£)
			(c1)	(c2)		
<b>400mm high</b>						
KD406F	600	105	345	82.5 or 97.5	3133	257.43
KD408F	800	105	345	82.5 or 97.5	4178	314.82
KD410F	1000	105	345	82.5 or 97.5	5222	372.41
KD412F	1200	105	345	82.5 or 97.5	6266	437.03
KD414F	1400	105	345	82.5 or 97.5	7311	491.26
KD416F	1600	105	345	82.5 or 97.5	8355	551.48
<b>500mm high</b>						
KD504F	400	105	445	82.5 or 97.5	2499	239.11
KD506F	600	105	445	82.5 or 97.5	3748	294.58
KD508F	800	105	445	82.5 or 97.5	4997	364.84
KD510F	1000	105	445	82.5 or 97.5	6247	435.62
KD512F	1200	105	445	82.5 or 97.5	7496	513.28
KD514F	1400	105	445	82.5 or 97.5	8746	579.30
KD516F	1600	105	445	82.5 or 97.5	9995	644.45
<b>600mm high</b>						
KD604F	400	105	545	82.5 or 97.5	2876	264.12
KD606F	600	105	545	82.5 or 97.5	4314	330.16
KD608F	800	105	545	82.5 or 97.5	5752	413.61
KD610F	1000	105	545	82.5 or 97.5	7190	496.72
KD612F	1200	105	545	82.5 or 97.5	8627	587.05
KD614F	1400	105	545	82.5 or 97.5	10065	665.40
KD616F	1600	105	545	82.5 or 97.5	11503	742.52
KD618F	1800	105	545	82.5 or 97.5	12941	817.89
KD620F	2000	105	545	82.5 or 97.5	14379	894.12



Type 10 Vertical Flat Radiator



Type 20 Vertical Flat radiator



Sizes indicated may vary by + or - 2mm

**TYPE 10 Single Panel (No Side Panels)**

Code	Width (mm)	Depth (mm)	Tapping Centres (mm)		Output $\Delta t_{60^\circ C}$ (BTUs)	Price (£)
			(c1)	(c2)		
<b>1800mm high</b>						
SV318F	300	52.5	245	42	1672	345.47
SV418F	400	52.5	345	42	2235	393.19
SV518F	500	52.5	445	42	2791	441.96
SV618F	600	52.5	545	42	3371	496.19

**TYPE 20 Double Panel (With Side Panels)**

Code	Width (mm)	Depth (mm)	Tapping Centres (mm)		Output $\Delta t_{60^\circ C}$ (BTUs)	Price (£)
			(c1)	(c2)		
<b>1800mm high</b>						
DV318F	300	72.5	245	59	2774	496.19
DV418F	400	72.5	345	59	3709	566.10
DV518F	500	72.5	445	59	4603	640.39
DV618F	600	72.5	545	59	5521	709.42
<b>2000mm high</b>						
DV420F	400	72.5	345	59	4159	606.60

K-FLAT Vertical radiators are supplied with an optional retaining stay for enhanced safety. We strongly recommend the implementation of the safety equipment and will not accept responsibility for issues or damage caused by not using the retaining stay.

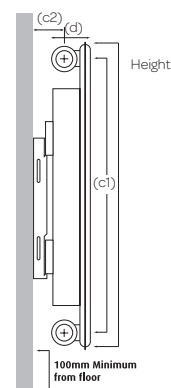
# K-Flat Premium Kompact Horizontal



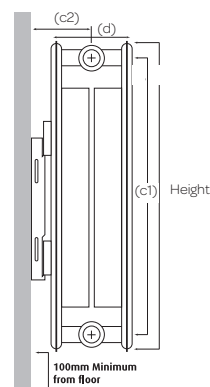
5 Year Guarantee



Type 11 Single Convector



Type 22 Double Convactor



TYPE 11 Single Convactor

Code	Width (mm)	Depth (mm)	Tapping Centres (mm)		Output $\Delta t_{60^\circ C}$ (BTUs)	Price (£)
			(c1)	(c2)		
<b>400mm high</b>						
KS406FP	600	56	345	40 or 55	1586	229.08
KS408FP	800	56	345	40 or 55	2115	271.34
KS410FP	1000	56	345	40 or 55	2644	313.95
KS412FP	1200	56	345	40 or 55	3173	364.13
KS414FP	1400	56	345	40 or 55	3701	403.04
KS416FP	1600	56	345	40 or 55	4230	448.64
<b>500mm high</b>						
KS504FP	400	56	445	40 or 55	1279	216.22
KS506FP	600	56	445	40 or 55	1918	254.78
KS508FP	800	56	445	40 or 55	2558	305.84
KS510FP	1000	56	445	40 or 55	3197	357.79
KS512FP	1200	56	445	40 or 55	3837	418.53
KS514FP	1400	56	445	40 or 55	4476	464.85
KS516FP	1600	56	445	40 or 55	5116	509.92
<b>600mm high</b>						
KS604FP	400	56	545	40 or 55	1489	231.20
KS606FP	600	56	545	40 or 55	2233	276.80
KS608FP	800	56	545	40 or 55	2977	336.49
KS610FP	1000	56	545	40 or 55	3722	396.18
KS612FP	1200	56	545	40 or 55	4466	445.48
KS614FP	1400	56	545	40 or 55	5211	518.56
KS616FP	1600	56	545	40 or 55	5955	571.03
KS618FP	1800	56	545	40 or 55	6699	621.38
KS620FP	2000	56	545	40 or 55	7444	672.62

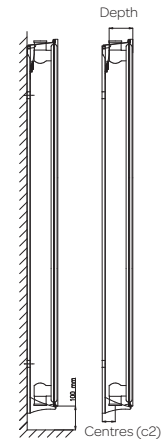
TYPE 22 Double Convactor

Code	Width (mm)	Depth (mm)	Tapping Centres (mm)		Output $\Delta t_{60^\circ C}$ (BTUs)	Price (£)
			(c1)	(c2)		
<b>400mm high</b>						
KD406FP	600	105	345	82.5 or 97.5	3133	309.03
KD408FP	800	105	345	82.5 or 97.5	4178	377.86
KD410FP	1000	105	345	82.5 or 97.5	5222	447.06
KD412FP	1200	105	345	82.5 or 97.5	6266	524.36
KD414FP	1400	105	345	82.5 or 97.5	7311	589.68
KD416FP	1600	105	345	82.5 or 97.5	8355	661.88
<b>500mm high</b>						
KD504FP	400	105	445	82.5 or 97.5	2499	287.01
KD506FP	600	105	445	82.5 or 97.5	3748	353.38
KD508FP	800	105	445	82.5 or 97.5	4997	437.72
KD510FP	1000	105	445	82.5 or 97.5	6247	522.78
KD512FP	1200	105	445	82.5 or 97.5	7496	615.92
KD514FP	1400	105	445	82.5 or 97.5	8746	695.15
KD516FP	1600	105	445	82.5 or 97.5	9995	773.34
<b>600mm high</b>						
KD604FP	400	105	545	82.5 or 97.5	2876	317.12
KD606FP	600	105	545	82.5 or 97.5	4314	396.18
KD608FP	800	105	545	82.5 or 97.5	5752	496.36
KD610FP	1000	105	545	82.5 or 97.5	7190	596.03
KD612FP	1200	105	545	82.5 or 97.5	8627	704.49
KD614FP	1400	105	545	82.5 or 97.5	10065	798.52
KD616FP	1600	105	545	82.5 or 97.5	11503	890.96
KD618FP	1800	105	545	82.5 or 97.5	12941	981.47
KD620FP	2000	105	545	82.5 or 97.5	14379	1072.85

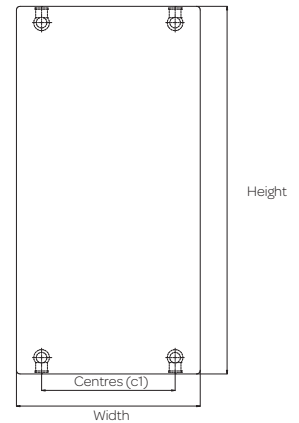
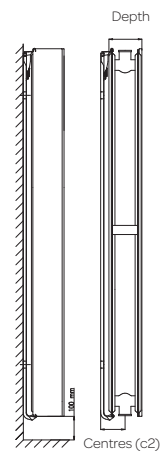




Type 10 Vertical Flat Radiator



Type 20 Vertical Flat radiator



Sizes indicated may vary by + or - 2mm

TYPE 10 Single Panel (No Side Panels)

Code	Width (mm)	Depth (mm)	Tapping Centres (mm)		Output $\Delta t_{60^\circ C}$ (BTUs)	Price (£)
			(c1)	(c2)		
<b>1800mm high</b>						
SV318FP	300	52.5	245	42	1672	397.23
SV418FP	400	52.5	345	42	2235	452.17
SV518FP	500	52.5	445	42	2791	508.16
SV618FP	600	52.5	545	42	3371	570.67

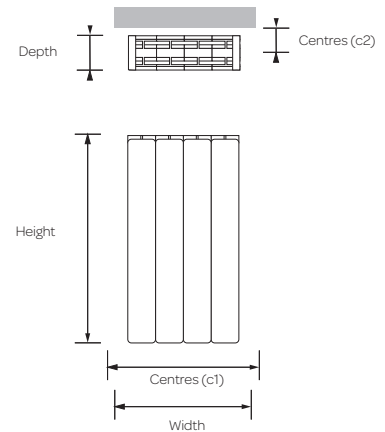
TYPE 20 Double Panel (With Side Panels)

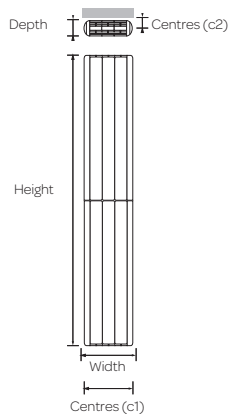
Code	Width (mm)	Depth (mm)	Tapping Centres (mm)		Output $\Delta t_{60^\circ C}$ (BTUs)	Price (£)
			(c1)	(c2)		
<b>1800mm high</b>						
DV318FP	300	72.5	245	59	2774	570.67
DV418FP	400	72.5	345	59	3709	650.96
DV518FP	500	72.5	445	59	4603	736.54
DV618FP	600	72.5	545	59	5521	815.78

K-FLAT Vertical radiators are supplied with an optional retaining stay for enhanced safety. We strongly recommend the implementation of the safety equipment and will not accept responsibility for issues or damage caused by not using the retaining stay.



Product Code	Width (mm)	Depth (mm)	Tapping Centres (mm)		Output $\Delta t_{60^{\circ}\text{C}}$ (BTUs)	Price (£)
			(c1)	(c2)		
<b>581mm high</b>						
VER500-05	400	95	400	65	2,538	198.68
VER500-08	640	95	640	65	4,060	297.02
VER500-10	800	95	800	65	5,075	360.74
VER500-13	1040	95	1040	65	6,598	459.08
VER500-15	1200	95	1200	65	7,613	524.68
VER500-18	1440	95	1440	65	9,136	626.92
<b>681mm high</b>						
VER600-05	400	95	400	65	3,091	206.37
VER600-08	640	95	640	65	4,946	308.60
VER600-10	800	95	800	65	6,182	378.12
VER600-13	1040	95	1040	65	8,037	482.24
VER600-15	1200	95	1200	65	9,273	549.72
VER600-18	1440	95s	1440	65	11,128	659.64

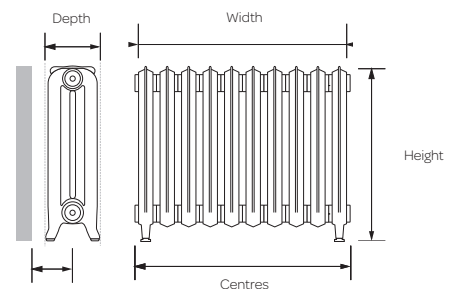




Product Code	Width (mm)	Depth (mm)	Tapping Centres (mm)		Output $\Delta t 60^{\circ}\text{C}$ (BTUs)	Price (£)
			(c1)	(c2)		
<b>1870m high</b>						
<b>VER1800-03HI</b>	240	100	240	65	3,691	<b>518.09</b>
<b>VER1800-04HI</b>	320	100	320	65	4,922	<b>707.86</b>
<b>VER1800-05HI</b>	400	100	400	65	6,152	<b>819.82</b>
<b>VER1800-06HI</b>	480	100	480	65	7,382	<b>968.40</b>
<b>VER1800-07HI</b>	560	100	560	65	8,613	<b>1147.68</b>



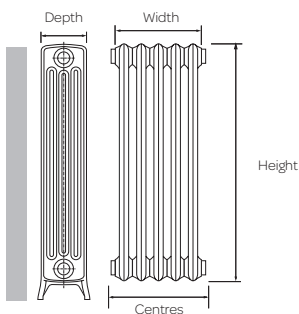
Product Code	Width (mm)	Depth (mm)	Tapping Centres (mm)		No. of Sections	Output $\Delta t 60^{\circ}\text{C}$ (BTUs)	Price (£)
			(c1)	(c2)			
<b>760mm high</b>							
<b>600/180/6</b>	456	180	476	122/132	6	3132	<b>723.48</b>
<b>954mm high</b>							
<b>800/180/6</b>	456	180	476	122/132	6	3906	<b>976.62</b>



Supplied in dark grey primer (RAL7022) for over painting. RAL colour finish available - POA  
Please ensure that you have a joining key, to check all joints are tight before installing.



Shown finished in Black RAL9005



Supplied in dark grey primer RAL7022 as shown left.

Product Code	Width (mm)	Depth (mm)	Tapping Centres (mm)	No. of Sections	Output $\Delta t60^{\circ}\text{C}$ (BTUs)	Price (£)
<b>660mm high</b>						
4/65/10	600	144	620	10	4007	753.84
4/65/13	780	144	800	13	5209	985.37
4/65/17	1020	144	1040	17	6812	1275.97
4/65/21	1260	144	1280	21	8414	1566.59
<b>760mm high</b>						
4/75/10	600	144	620	10	4652	836.03
4/75/13	780	144	800	13	6047	1092.31
4/75/17	1020	144	1040	17	7908	1415.92
4/75/21	1260	144	1280	21	9768	1739.38

Supplied in dark grey primer (RAL7022) for over painting. RAL colour finish available - POA  
Please ensure that you have a joining key, to check all joints are tight before installing.

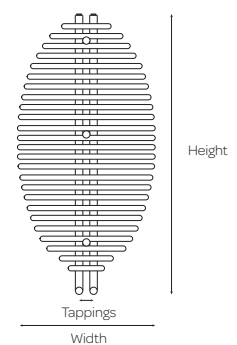
# San Jose

Chrome Plated

5 Year Guarantee



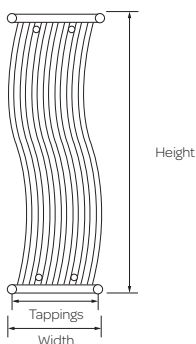
Product Code	Height (mm)	Width (mm)	Tapping Centres (mm)	Output $\Delta t60^{\circ}\text{C}$ (BTUs)	Price (£)
SJC-1	1300	600	100	2786	674.94



Chrome  
Plated

5 Year  
Guarantee

# Miami



Product Code	Height (mm)	Width (mm)	Tapping Centres (mm)	Output $\Delta t 60^{\circ}\text{C}$ (BTUs)	Price (£)
<b>MIA (Horizontal)</b>	450	1400	1350	1708	502.50

<b>MIA (Vertical)</b>	1400	450	1350	1708	502.50
-----------------------	------	-----	------	------	--------

# Cincinnati

M Matt Finish

5 5 Year Guarantee



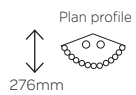
Product Code	Height (mm)	Width (mm)	Tapping Centres (mm)	Output $\Delta t 60^{\circ}\text{C}$ (BTUs)	Price (£)	
CVG	2000	351	50	4628	688.66	



M Matt Finish

5 5 Year Guarantee

# Kansas



Height

Tappings  
Width

Product Code	Height (mm)	Width (mm)	Tapping Centres (mm)	Output $\Delta t60^{\circ}\text{C}$ (BTUs)	Price (£)
--------------	-------------	------------	----------------------	--	-----------

<b>MCI</b>	2000	276	50	5369	<b>823.60</b>
------------	------	-----	----	------	---------------

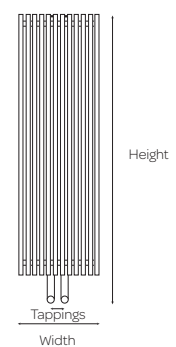
# Los Angeles

M Matt Finish

5 5 Year Guarantee



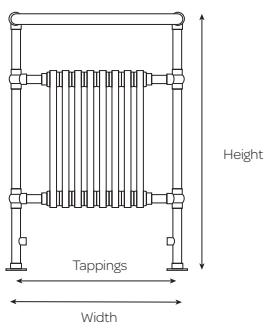
Product Code	Height (mm)	Width (mm)	Tapping Centres (mm)	Output $\Delta t60^{\circ}\text{C}$ (BTUs)	Price (£)
LAX	1604	500	50	4778	548.50



Chrome  
Plated

5 Year  
Guarantee

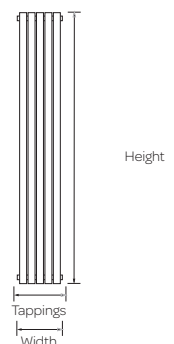
# Crown

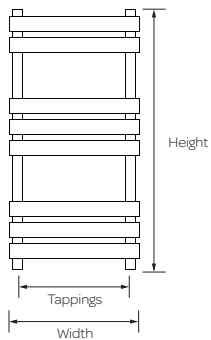


Product Code	Height (mm)	Width (mm)	Tapping Centres (mm)	Output $\Delta t60^{\circ}\text{C}$ (BTUs)	Price (£)
<b>LAS</b>	945	675	528	5521	<b>449.00</b>
<b>LAS-1</b>	945	500	356	3013	<b>429.00</b>



Product Code	Height (mm)	Width (mm)	Tapping Centres (mm)	Output $\Delta t 60^{\circ}\text{C}$ (BTUs)	Price (£)
<b>IDA15-0240</b>	1500	240	200	2667	788.77
<b>IDA15-0340</b>	1500	340	300	3735	1104.04
<b>IDA18-0240</b>	1800	240	200	3200	910.00
<b>IDA18-0340</b>	1800	340	300	4483	1181.57
<b>IDA18-0440</b>	1800	440	400	5780	1508.12
<b>ZXIDA</b>	Optional Towel Holder				221.07

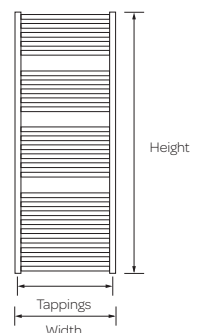


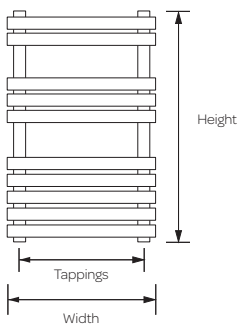


Product Code	Height (mm)	Width (mm)	Tapping Centres (mm)	Output $\Delta t60^{\circ}\text{C}$ (BTUs)	Price (£)
<b>TOL500-1200</b>	1200	500	445	2770	672.16
<b>TOL600-1200</b>	1200	600	545	3440	806.84



Product Code	Height (mm)	Width (mm)	Tapping Centres (mm)	Output $\Delta t60^{\circ}\text{C}$ (BTUs)	Price (£)
<b>MET800-500</b>	800	500	475	1701	279.00
<b>MET800-600</b>	800	600	575	1841	294.00
<b>MET1200-500</b>	1200	500	475	2192	399.00
<b>MET1200-600</b>	1200	600	575	2625	419.00





Product Code	Height (mm)	Width (mm)	Tapping Centres (mm)	Output $\Delta t60^{\circ}\text{C}$ (BTUs)	Price (£)
<b>OHI500-800P</b>	800	500	450	2321	<b>569.00</b>
<b>OHI500-1200P</b>	1200	500	450	3480	<b>729.00</b>

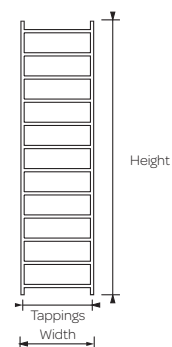
# Connecticut

SS Stainless Steel

10 10 Year Guarantee



Product Code	Height (mm)	Width (mm)	Tapping Centres (mm)	Output $\Delta t60^{\circ}\text{C}$ (BTUs)	Price (£)
CON500-900	900	500	472	843	509.18
CON350-1200	1200	350	322	891	476.78
CON500-1200	1200	500	472	1124	646.55
CON350-1800	1800	350	322	1050	630.41
CON500-1800	1800	500	472	1323	887.42

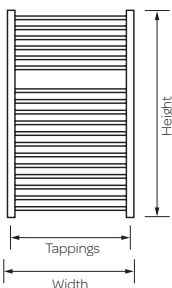






### Straight

### Curved

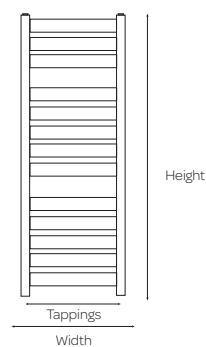


Product Code	Height (mm)	Width (mm)	Tapping Centres (mm)	Output $\Delta t_{60^\circ\text{C}}$ (BTUs)	Price (£)
<b>ORL500-720</b>	720	500	468	1556	370.12
<b>ORL600-720</b>	720	600	568	1682	428.36
<b>ORL500-1200</b>	1200	500	468	2410	551.17
<b>ORL600-1200</b>	1200	600	568	2564	591.58
<b>ORL500-1500</b>	1500	500	468	2853	669.12
<b>ORL600-1500</b>	1500	600	568	3022	709.52

Product Code	Height (mm)	Width (mm)	Tapping Centres (mm)	Output $\Delta t_{60^\circ\text{C}}$ (BTUs)	Price (£)
<b>ORL500-720C</b>	720	500	468	1556	421.93
<b>ORL600-720C</b>	720	600	568	1682	462.34
<b>ORL500-1200C</b>	1200	500	468	2140	617.42
<b>ORL600-1200C</b>	1200	600	568	2564	683.68
<b>ORL500-1500C</b>	1500	500	468	2853	732.22



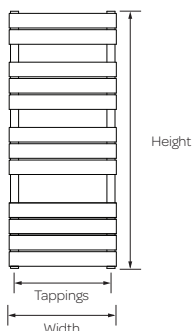
Product Code	Height (mm)	Width (mm)	Depth (mm)	Tapping Centres (mm)	Output $\Delta t 60^{\circ}\text{C}$ (BTUs)	Price (£)
<b>EWR</b>	952	500	86	462	1201	<b>319.00</b>
<b>EWR-1</b>	1306	500	86	462	1703	<b>359.00</b>



Chrome  
Plated

5 Year  
Guarantee

# Memphis



Product Code	Height (mm)	Width (mm)	Depth (mm)	Tapping Centres (mm)	Output $\Delta t60^{\circ}\text{C}$ (BTUs)	Price (£)
<b>MEM500-1200</b>	1200	500	65	450	2079	<b>389.00</b>
<b>MEM600-1200</b>	1200	600	65	550	2390	<b>429.00</b>

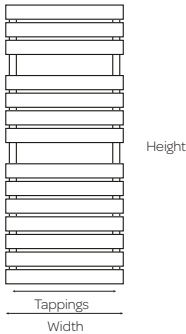
# Atlantic

M Matt Finish

5 5 Year Guarantee



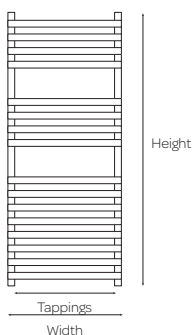
Product Code	Height (mm)	Width (mm)	Tapping Centres (mm)	Output $\Delta t60^{\circ}\text{C}$ (BTUs)	Price (£)
ATL500-1200A	1185	500	440	2490	399.00



Chrome  
Plated

5 Year  
Guarantee

# Mode

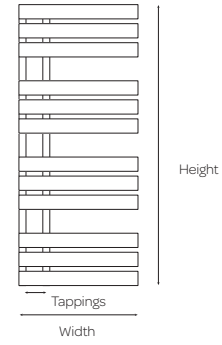


Product Code	Height (mm)	Width (mm)	Tapping Centres (mm)	Output $\Delta t60^{\circ}\text{C}$ (BTUs)	Price (£)
<b>MOD500-800C</b>	800	500	470	900	309.00
<b>MOD500-1200C</b>	1200	500	550	1400	399.00



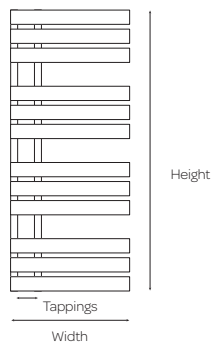
## Oregon Chrome Designer Rail

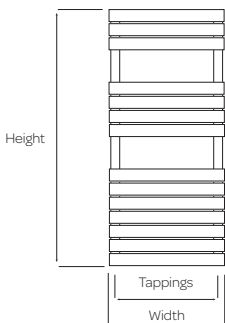
Product Code	Height (mm)	Width (mm)	Tapping Centres (mm)	Output $\Delta t60^{\circ}\text{C}$ (BTUs)	Price (£)
<b>ORE500-1200C</b>	1180	500	100	2140 BTU	<b>409.00</b>



## Oregon Anthracite Designer Rail

Product Code	Height (mm)	Width (mm)	Tapping Centres (mm)	Output $\Delta t60^{\circ}\text{C}$ (BTUs)	Price (£)
<b>ORE500-1200A</b>	1180	500	100	1652	<b>434.00</b>





Product Code	Height (mm)	Width (mm)	Tapping Centres (mm)	Output $\Delta t60^{\circ}\text{C}$ (BTUs)	Price (£)
<b>VEN850-500A</b>	850	500	450	1943	<b>329.00</b>
<b>VEN1100-500A</b>	1100	500	450	2682	<b>399.00</b>
<b>VEN1500-500A</b>	1500	500	450	3643	<b>499.00</b>

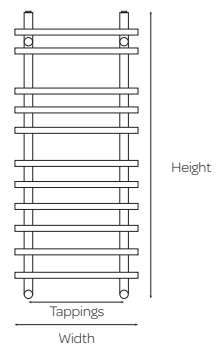
# Phoenix

Chrome Plated

5 Year Guarantee



Product Code	Height (mm)	Width (mm)	Depth (mm)	Tapping Centres (mm)	Output $\Delta t60^{\circ}\text{C}$ (BTUs)	Price (£)
PHX	1150	500	151	400	1945	358.10

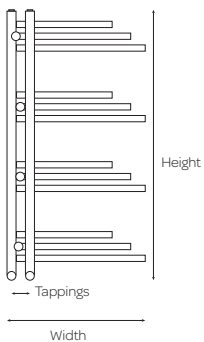




Chrome  
Plated

5 Year  
Guarantee

# New York



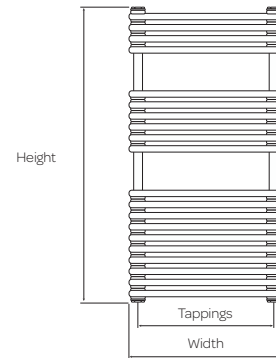
Product Code	Height (mm)	Width (mm)	Tapping Centres (mm)	Output $\Delta t_{60^{\circ}\text{C}}$ (BTUs)	Price (£)
--------------	-------------	------------	----------------------	---	-----------

JFK	906	500	100	1198	349.00
-----	-----	-----	-----	------	--------



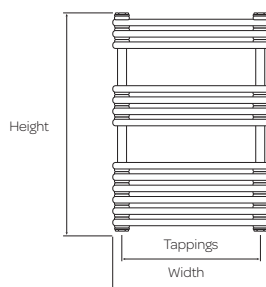
## Kolumn White Designer Rail

Product Code	Height (mm)	Width (mm)	Tapping Centres (mm)	Output $\Delta t60^{\circ}\text{C}$ (BTUs)	Price (£)
<b>KOL832-500WT</b>	832	500	425	2186	<b>329.00</b>
<b>KOL1140-500WT</b>	1140	500	425	3295	<b>429.00</b>



## Kolumn Anthracite Designer Rail

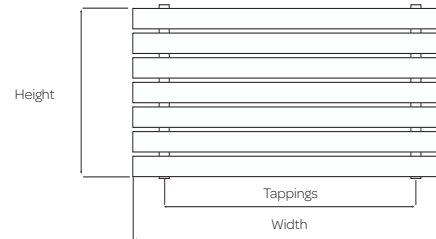
Product Code	Height (mm)	Width (mm)	Tapping Centres (mm)	Output $\Delta t60^{\circ}\text{C}$ (BTUs)	Price (£)
<b>KOL832-500A</b>	832	500	425	2186	<b>329.00</b>
<b>KOL1140-500A</b>	1140	500	425	3295	<b>429.00</b>





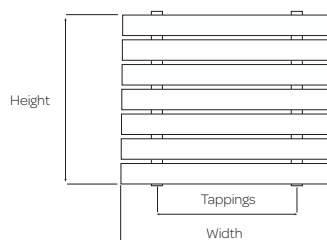
### Denver White Designer Rail

Product Code	Width (mm)	Height (mm)	Tapping Centres (mm)	Output $\Delta t60^{\circ}\text{C}$ (BTUs)	Price (£)
<b>DEN500-600WT</b>	600	500	400	1844	<b>299.00</b>
<b>DEN500-1000WT</b>	1000	500	800	2620	<b>399.00</b>



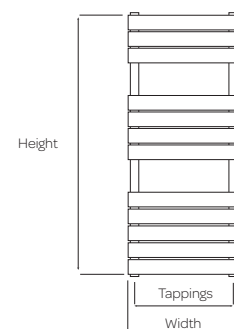
### Denver Anthracite Designer Rail

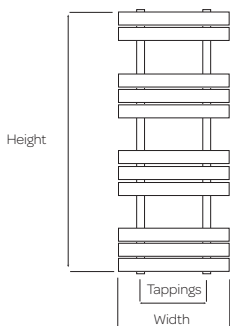
Product Code	Height (mm)	Width (mm)	Tapping Centres (mm)	Output $\Delta t60^{\circ}\text{C}$ (BTUs)	Price (£)
<b>DEN500-600A</b>	500	600	400	1844	<b>299.00</b>
<b>DEN500-1000A</b>	500	1000	800	2620	<b>399.00</b>





Product Code	Height (mm)	Width (mm)	Tapping Centres (mm)	Output $\Delta t60^{\circ}\text{C}$ (BTUs)	Price (£)
MAL1200-500BB	1200	500	450	1889 BTU	£599.00





Product Code	Height (mm)	Width (mm)	Tapping Centres (mm)	Output $\Delta t_{60^{\circ}\text{C}}$ (BTUs)	Price (£)
TAM850-500A	850	500	300	2047 BTU	£299.00
TAM1200-500A	1200	500	300	2833 BTU	£379.00

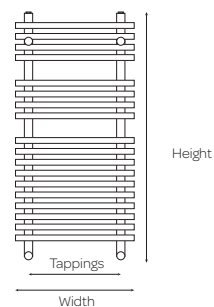
# Oakland

Chrome Plated

5 Year Guarantee



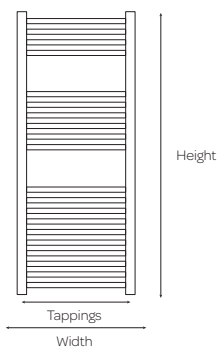
Product Code	Height (mm)	Width (mm)	Tapping Centres (mm)	Output $\Delta t 60^{\circ}\text{C}$ (BTUs)	Price (£)
OAK	916	500	300	1411	329.00
OAK-1	1176	500	300	1820	369.00



Chrome  
Plated

5 Year  
Guarantee

# K Squared



Product Code	Height (mm)	Width (mm)	Tapping Centres (mm)	Output $\Delta t60^{\circ}\text{C}$ (BTUs)	Price (£)
<b>SQR508C</b>	800	500	455	1310	202.06
<b>SQR608C</b>	800	600	555	1520	227.47
<b>SQR512C</b>	1200	500	455	1910	278.30
<b>SQR612C</b>	1200	600	555	2200	303.72
<b>SQR516C</b>	1600	500	455	2495	354.54
<b>SQR616C</b>	1600	600	555	2890	392.67

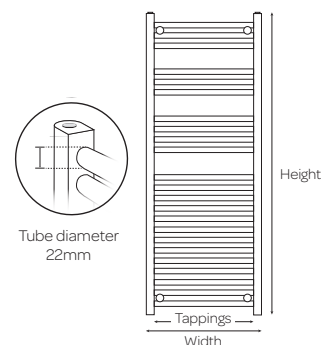
# K-Rail 22mm Black

**M** Matt Finish

**5** 5 Year Guarantee



Product Code	Height (mm)	Width (mm)	Tapping Centres (mm)	Output $\Delta t 60^{\circ}\text{C}$ (BTUs)	Price (£)
STR408B	800	400	355	1567	123.00
STR410B	1000	400	355	1868	144.00
STR412B	1200	400	355	2274	159.00
STR416B	1600	400	355	3006	195.00
STR508B	800	500	455	1856	132.00
STR510B	1000	500	455	2194	161.65
STR512B	1200	500	455	2680	185.35
STR516B	1600	500	455	3540	213.00
STR608B	800	600	555	2151	141.00
STR610B	1000	600	555	2538	162.00
STR612B	1200	600	555	3109	190.72
STR616B	1600	600	555	4105	228.00





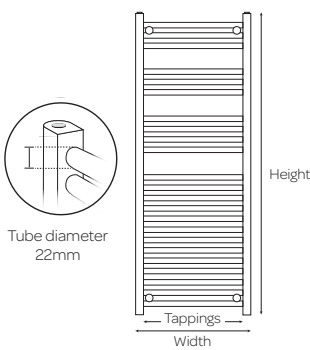
M Matt Finish

5 5 Year Guarantee

# K-Rail 22mm Anthracite



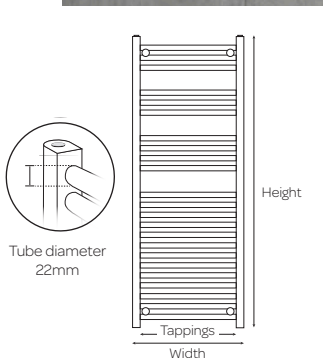
Product Code	Height (mm)	Width (mm)	Tapping Centres (mm)	Output $\Delta t60^{\circ}\text{C}$ (BTUs)	Price (£)
STR408A	800	400	355	1567	123.00
STR410A	1000	400	355	1868	144.00
STR412A	1200	400	355	2274	159.00
STR416A	1600	400	355	3006	195.00
STR508A	800	500	455	1856	132.00
STR510A	1000	500	455	2194	161.65
STR512A	1200	500	455	2680	185.35
STR516A	1600	500	455	3540	213.00
STR608A	800	600	555	2151	141.00
STR610A	1000	600	555	2538	162.00
STR612A	1200	600	555	3109	190.72
STR616A	1600	600	555	4105	228.00



# Coloured K-Rails

G Gloss Finish

5 5 Year Guarantee



Notes: Max operating pressure 7 bar.

Make a statement with our coloured K-Rails. Available in 7 bold colours.



Grey (GR)  
RAL7001

Blue (BL)  
RAL5002

Light Blue (LB)  
RAL5024

Red (R)  
RAL3020

Magenta (M)  
RAL4010

Orange (O)  
RAL2004

Bright Yellow (Y)  
RAL1016

## 22mm Straight

Product Code	Width (mm)	Height (mm)	Tapping Centres (mm)	Output $\Delta t_{60^\circ\text{C}}$ (BTUs)	Price (£)
STR308	300	800	255	1364	141.84
STR408	400	800	355	1567	145.05
STR508	500	800	455	1856	149.63
STR608	600	800	555	2151	154.09
STR310	300	1000	255	1626	151.57
STR410	400	1000	355	1868	155.35
STR510	500	1000	455	2194	161.65
STR610	600	1000	555	2538	164.39
STR312	300	1200	255	1978	173.44
STR412	400	1200	355	2274	177.67
STR512	500	1200	455	2680	185.34
STR612	600	1200	555	3109	190.72
STR316	300	1600	255	2614	204.23
STR416	400	1600	355	3006	209.50
STR516	500	1600	455	3540	218.43
STR616	600	1600	555	4105	225.18
STR518	500	1800	455	4069	273.95
STR618	600	1800	555	4720	285.97

## 22mm Curved

Product Code	Width (mm)	Height (mm)	Tapping Centres (mm)	Output $\Delta t_{60^\circ\text{C}}$ (BTUs)	Price (£)
CTR308	300	800	255	1364	145.16
CTR408	400	800	355	1567	148.94
CTR508	500	800	455	1856	153.40
CTR608	600	800	555	2151	157.87
CTR310	300	1000	255	1626	155.46
CTR410	400	1000	355	1868	159.59
CTR510	500	1000	455	2194	166.22
CTR610	600	1000	555	2538	169.09
CTR312	300	1200	255	1978	177.79
CTR412	400	1200	355	2274	182.25
CTR512	500	1200	455	2680	190.38
CTR612	600	1200	555	3109	196.10
CTR316	300	1600	255	2614	209.61
CTR416	400	1600	355	3006	213.28
CTR516	500	1600	455	3540	222.21
CTR616	600	1600	555	4105	228.96
CTR518	500	1800	455	4069	281.74
CTR618	600	1800	555	4720	294.56

Please note that while the printed colours in this publication are a good reflection, they may not be an exact match to the finished products. All finishes are gloss.

# K-Rail 22mm White

**5** Year Guarantee

Finished in RAL 9016

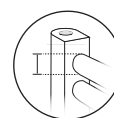


## 22mm Straight

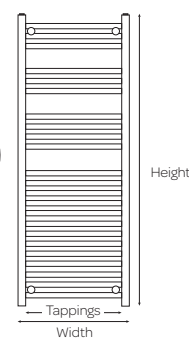
Product Code	Width (mm)	Height (mm)	Tapping Centres (mm)	Output $\Delta t60^{\circ}\text{C}$ (BTUs)	Price (£)
STR308W	300	800	255	1364	55.98
STR408W	400	800	355	1567	59.19
STR508W	500	800	455	1856	63.77
STR608W	600	800	555	2151	68.23
STR310W	300	1000	255	1626	65.71
STR410W	400	1000	355	1868	69.49
STR510W	500	1000	455	2194	75.79
STR610W	600	1000	555	2538	78.53
STR312W	300	1200	255	1978	73.27
STR412W	400	1200	355	2274	77.50
STR512W	500	1200	455	2680	85.17
STR612W	600	1200	555	3109	90.55
STR316W	300	1600	255	2614	89.75
STR416W	400	1600	355	3006	95.02
STR516W	500	1600	455	3540	103.95
STR616W	600	1600	555	4105	110.70
STR518W	500	1800	455	4069	130.85
STR618W	600	1800	555	4720	142.87

## 22mm Curved

Product Code	Width (mm)	Height (mm)	Tapping Centres (mm)	Output $\Delta t60^{\circ}\text{C}$ (BTUs)	Price (£)
CTR308W	300	800	255	1364	59.30
CTR408W	400	800	355	1567	63.08
CTR508W	500	800	455	1856	67.54
CTR608W	600	800	555	2151	72.01
CTR310W	300	1000	255	1626	69.60
CTR410W	400	1000	355	1868	73.73
CTR510W	500	1000	455	2194	80.36
CTR610W	600	1000	555	2538	83.23
CTR312W	300	1200	255	1978	77.62
CTR412W	400	1200	355	2274	82.08
CTR512W	500	1200	455	2680	90.21
CTR612W	600	1200	555	3109	95.93
CTR316W	300	1600	255	2614	95.13
CTR416W	400	1600	355	3006	98.80
CTR516W	500	1600	455	3540	107.73
CTR616W	600	1600	555	4105	114.48
CTR518W	500	1800	455	4069	138.64
CTR618W	600	1800	555	4720	151.46



Tube diameter 22mm



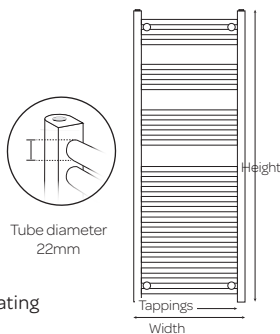
Notes: Max operating pressure 7 bar.

## 22mm Straight

Product Code	Width (mm)	Height (mm)	Tapping Centres (mm)	Output $\Delta t60^{\circ}\text{C}$ (BTUs)	Price (£)
STR308C	300	800	255	957	81.17
STR408C	400	800	355	1100	85.86
STR508C	500	800	455	1302	92.39
STR608C	600	800	555	1509	98.80
STR310C	300	1000	255	1140	95.25
STR410C	400	1000	355	1311	100.74
STR510C	500	1000	455	1540	109.79
STR610C	600	1000	555	1781	113.79
STR312C	300	1200	255	1388	106.12
STR412C	400	1200	355	1595	112.30
STR512C	500	1200	455	1881	123.41
STR612C	600	1200	555	2182	131.19
STR316C	300	1600	255	1835	130.16
STR416C	400	1600	355	2108	137.72
STR516C	500	1600	455	2484	150.66
STR616C	600	1600	555	2881	160.39
STR518C	500	1800	455	2855	189.58
STR618C	600	1800	555	3312	207.09

## 22mm Curved

Product Code	Width (mm)	Height (mm)	Tapping Centres (mm)	Output $\Delta t60^{\circ}\text{C}$ (BTUs)	Price (£)
CTR308C	300	800	255	957	85.97
CTR408C	400	800	355	1100	91.36
CTR508C	500	800	455	1302	97.88
CTR608C	600	800	555	1509	104.29
CTR310C	300	1000	255	1140	100.97
CTR410C	400	1000	355	1311	106.81
CTR510C	500	1000	455	1540	116.43
CTR610C	600	1000	555	1781	120.55
CTR312C	300	1200	255	1388	112.42
CTR412C	400	1200	355	1595	119.06
CTR512C	500	1200	455	1881	130.74
CTR612C	600	1200	555	2182	139.09
CTR316C	300	1600	255	1835	137.95
CTR416C	400	1600	355	2108	143.21
CTR516C	500	1600	455	2484	156.15
CTR616C	600	1600	555	2881	165.88
CTR518C	500	1800	455	2855	200.91
CTR618C	600	1800	555	3312	219.46



Notes: Max operating pressure 7 bar.



# K-Rail 25mm Chrome

Chrome Plated

5 Year Guarantee

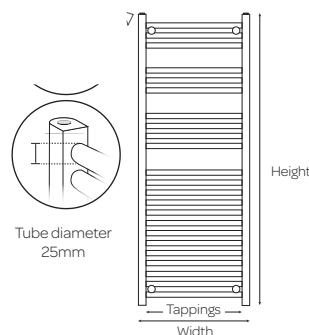


## 25mm Straight

Product Code	Width (mm)	Height (mm)	Tapping Centres (mm)	Output $\Delta t60^{\circ}\text{C}$ (BTUs)	Price (£)
25STR308C	300	800	255	1106	107.95
25STR408C	400	800	355	1272	111.85
25STR508C	500	800	455	1506	120.78
25STR608C	600	800	555	1746	124.55
25STR310C	300	1000	255	1319	120.78
25STR410C	400	1000	355	1516	124.55
25STR510C	500	1000	455	1781	133.48
25STR610C	600	1000	555	2060	137.26
25STR312C	300	1200	255	1605	133.48
25STR412C	400	1200	355	1845	137.26
25STR512C	500	1200	455	2175	146.08
25STR612C	600	1200	555	2524	149.97
25STR316C	300	1600	255	2122	158.90
25STR416C	400	1600	355	2439	162.68
25STR516C	500	1600	455	2873	171.61
25STR616C	600	1600	555	3332	188.09
25STR518C	500	1800	455	3302	222.32
25STR618C	600	1800	555	3830	238.92

## 25mm Curved

Product Code	Width (mm)	Height (mm)	Tapping Centres (mm)	Output $\Delta t60^{\circ}\text{C}$ (BTUs)	Price (£)
25CTR308C	300	800	255	1106	114.37
25CTR408C	400	800	355	1272	118.14
25CTR508C	500	800	455	1506	133.48
25CTR608C	600	800	555	1746	137.26
25CTR310C	300	1000	255	1319	127.07
25CTR410C	400	1000	355	1516	130.85
25CTR510C	500	1000	455	1781	139.78
25CTR610C	600	1000	555	2060	143.56
25CTR312C	300	1200	255	1605	139.78
25CTR412C	400	1200	355	1845	143.56
25CTR512C	500	1200	455	2175	152.49
25CTR612C	600	1200	555	2524	156.27
25CTR316C	300	1600	255	2122	171.61
25CTR416C	400	1600	355	2439	175.38
25CTR516C	500	1600	455	3302	184.20
25CTR616C	600	1600	555	3332	200.80
25CTR518C	500	1800	455	3302	235.14
25CTR618C	600	1800	555	3830	251.63

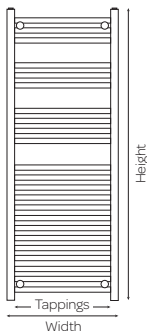


Notes: Max operating pressure 7 bar.



Electric Towel Rail – On/Off

Electric Towel Rail – Thermostatic



Product Code	Height (mm)	Width (mm)	Tapping Centres (mm)	Element Power (W)	Price (£)
<b>Straight</b>					
ESTR508C	800	500	455	150	204.80
ESTR510C	1000	500	455	200	235.60
ESTR512C	1200	500	455	300	266.74
<b>Curved</b>					
ECTR508C	800	500	455	150	211.10
ECTR510C	1000	500	455	200	241.90
ECTR512C	1200	500	455	300	273.03

Product Code	Height (mm)	Width (mm)	Tapping Centres (mm)	Element Power (W)	Price (£)
<b>Straight</b>					
ETSTR508C	800	500	455	150	258.84
ETSTR510C	1000	500	455	150	289.63
ETSTR512C	1200	500	455	300	320.77
<b>Curved</b>					
ETCTR508C	800	500	455	150	265.14
ETCTR510C	1000	500	455	150	295.93
ETCTR512C	1200	500	455	300	327.07

# Radiator Valves & Extras



K-Design Angled TRV Twin Pack  
Chrome  
CR-TRV301A **£79.99**



K-Design Straight TRV Twin Pack  
Chrome  
CR-TRV201S **£84.99**



K-Design Corner TRV Twin Pack  
Chrome  
CR-TRV101C **£89.99**



K-Design Angled TRV Twin Pack  
Black  
BK-TRV301A **£79.99**



K-Design Straight TRV Twin Pack  
Black  
BK-TRV201S **£84.99**



K-Design Corner TRV Twin Pack  
Black  
BK-TRV101C **£89.99**



K-Design Angled TRV Twin Pack  
Anthracite  
AN-TRV301A **£79.99**



K-Design Straight TRV Twin Pack  
Anthracite  
AN-TRV201S **£84.99**



K-Design Corner TRV Twin Pack  
Anthracite  
AN-TRV101C **£89.99**





K-Design Angled TRV Twin Pack  
 White  
 WT-TRV301A                      £79.99



K-Design Straight TRV Twin Pack  
 White  
 WT-TRV201S                      £84.99



K-Design Corner TRV Twin Pack  
 White  
 WT-TRV101C                      £89.99



K-Design Angled TRV Twin Pack  
 Brushed Nickel  
 NK-TRV301A                      £84.99



K-Design Corner TRV Twin Pack  
 Brushed Nickel  
 NK-TRV201S                      £94.99



K-Design Angled TRV Twin Pack  
 Brushed Brass  
 BR-TRV301A                      £84.99



K-Design Corner TRV Twin Pack  
 Brushed Brass  
 BR-TRV201S                      £94.99

# Radiator Valves & Extras



K-Therm Refined Thermostatic Valve

Straight	TRVRS	£20.00
Angled	TRVRA	£18.00



K-Therm Refined All Chrome Thermostatic Valve

Straight	TRVRSC	£22.00
Angled	TRVRAC	£18.00



K-Therm Refined Angled Twin Valve Pack

TPLSTRVRA	£22.50
-----------	--------



K-Therm Style Angled Twin Valve Pack

TPLSTRVSA	£15.00
-----------	--------



K-Therm Style Thermostatic Valve

Straight	TRVSS	£13.00
Angled	TRVSA	£13.00



Times Manual Valves (Pair)

Straight	CROSS-STR	£25.00
Angled	CROSS-ANG	£25.00



Nostalgia Thermostatic Valves (Pair)

VLVCHA-TRV	£73.00
------------	--------



Nostalgia Manual Valves (Pair)

VLVCHA-AB1	£55.00
------------	--------



Corner Valves (Pair)

CRNV	£26.50
------	--------



Traditional Cross Head Valves Chrome (Pair)

TRAD-CROSS-ANG	£26.00
----------------	--------



Traditional Valves Chrome (Pair)

TRAD-ANG-C	£40.00
------------	--------



Traditional Valves Brass (Pair)

TRAD-ANG-B	£45.00
------------	--------



Modern Valves Chrome (Pair)

Straight	
KART-STR	£18.00
Angled	
KART-ANG	£18.00



Modern Valves Anthracite (Pair)

Straight	
ANTH-STR	£38.50
Angled	
ANTH-ANG	£38.50



Modern Valves Black (Pair)

Straight	
BLACK-STR	£38.50
Angled	
BLACK-ANG	£38.50



Aspen Valves (Pair)

Straight	
ASP-STR	£46.00
Angled	
ASP-ANG	£43.00



Cube Valves (Pair)

Straight	
CUBE-STR	£24.00
Angled	
CUBE-ANG	£24.00



Square Valves (Pair)

Straight	
SQR-STR	£43.00
Angled	
SQR-ANG	£45.50



Dual Fuel Heating Element

HE150	150 Watt	£69.98
HE300	300 Watt	£77.00
HE600	600 Watt	£84.02

Dual Fuel Thermostatic Heating Element

TE300	300 Watt	£139.97
TE600	600 Watt	£154.01



Dual Fuel Thermostatic Heating Element



16-19 The Manton Centre, Manton Lane,  
Bedford MK41 7PX

Tel: 01234 363 393 Fax: 01234 363 488

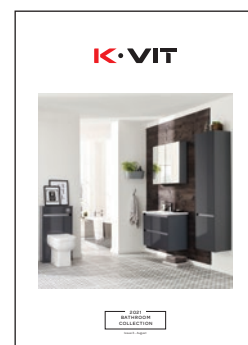
Unit 3, Greenbank Business Park, Swan Lane,  
Hindley Green, Wigan WN2 4AY

Tel: 01942 257 800 Fax: 01942 257 900

#### CUSTOMER SERVICE

For Support with Any of Our Products,  
Email [customerservice@kartelluk.com](mailto:customerservice@kartelluk.com)  
or Call 0330 808 5049

[Kartelluk.com](http://Kartelluk.com)



*Request Our  
Bathroom Brochure  
For More Interior Inspiration  
For Your Home*